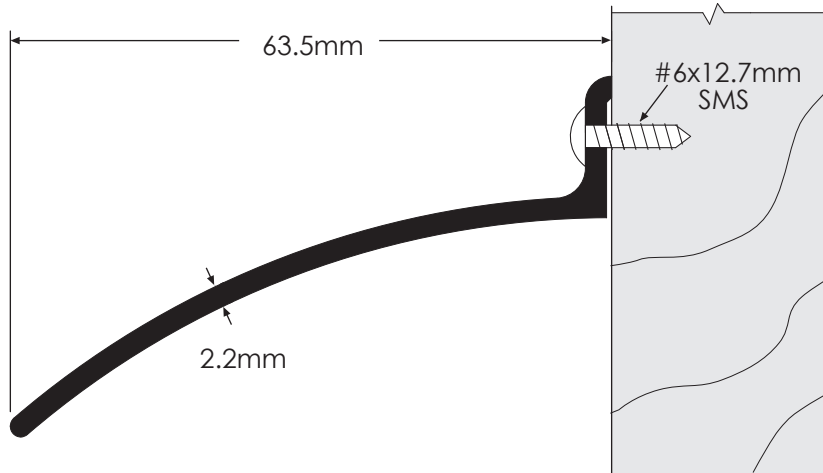


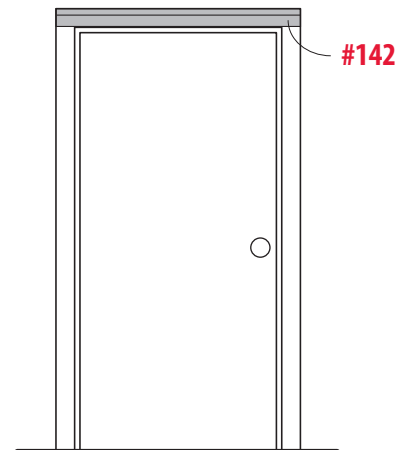
#142 Rain Drip INSTALLATION INSTRUCTIONS



- 1 Cut the rain drip length to fit.
- 2 Mark hole locations for screws. Drill holes for screws using #30 drill bit.
- 3 Fasten screws.
- 4 Caulk the top edge of rain drip to prevent water penetration.

TYPICAL INSTALLATION:

- Installation on exterior face of frame header.



Length of rain drip should be the full width of the door frame.

